

***RMC* HandsFree™ Restrooms**



- **Improve Sanitation**
- **Lower Maintenance Costs**
- **Reduce Water Costs**
- **Comply with ADA Standards**
- **Enhance Facility Image**

RMC HandsFree™ Restrooms

Restrooms have a major impact on the image of an establishment and the health of those who use it — both customers and employees.

Problem restrooms can have a lasting impact on people's perceptions of an establishment.

- 75% said that broken or vandalized fixtures in public restrooms would negatively affect their overall opinion of the facility
- 65% said they would avoid future visits to the establishment
- 80% said that broken, damaged or vandalized fixtures would make them believe the restroom was neglected by management

Why upgrade your restrooms with automatic fixtures?

You want to do what it takes to keep your restroom in the best possible shape for your employees and customers. You want to provide a clean and healthy environment. You want to make the restroom experience a good one for everybody. And, you want to control your costs.

RMC HandsFree™ Automatic Faucet

- **Saves up to 70% on water costs**
- **Promotes handwashing for healthier environment**
- **Cross-contamination reduced**
- **Long lived lithium batteries**
- **Rugged metal construction**
- **ADA compliant**



Lower maintenance costs

Many people do not manually flush urinals or toilets. Instead they kick the handles to do the flushing (if they flush at all). This can cost you money in terms of fixture breakage as well as cleaning costs. Besides the malodors associated with unflushed toilets, you also end up with urinals and toilet bowls that are so dirty, they can take months to clean. And we know what people think of restrooms that have broken fixtures.

Promoting good hygiene in the workplace reduces absenteeism

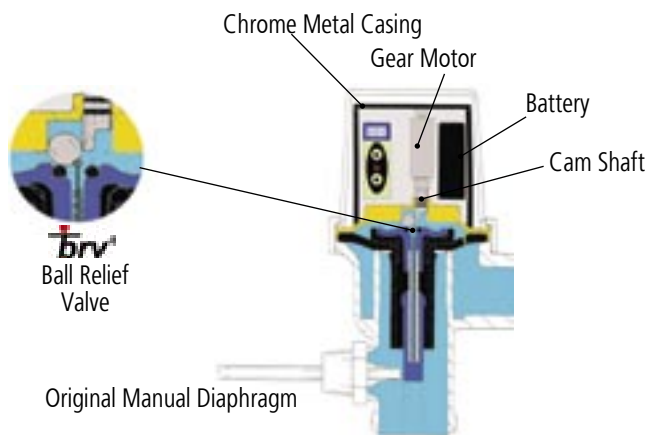
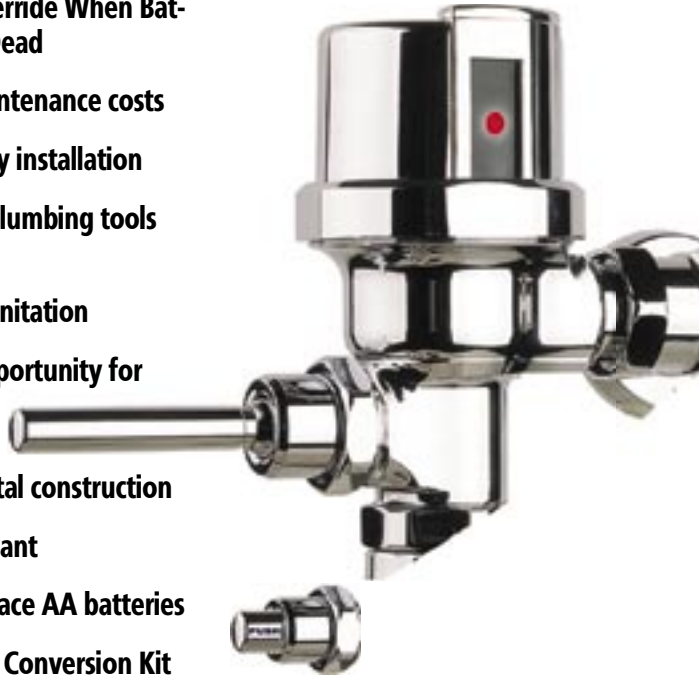
How do you get people to wash their hands? Make it as easy as possible — and stop the spread of germs and diseases that can occur in the restroom.

Automatic fixtures stop cross-contamination by making it possible for someone to have a good restroom experience without touching anything that can possibly transmit harmful germs onto their bodies.

Reducing cross-contamination will reduce absenteeism. Ask your sales representative to show you how to compute the impact this reduction has on your bottom line.

RMC HandsFree™ Dual Flush

- **Manual Override When Batteries Are Dead**
- **Lowers maintenance costs**
- **Quick & easy installation**
- **No special plumbing tools needed**
- **Improves sanitation**
- **Reduces opportunity for vandalism**
- **Rugged metal construction**
- **ADA compliant**
- **Easy to replace AA batteries**
- **Pushbutton Conversion Kit**
- **Adjustable sensor angle for easy use in Schools**



Reduce water costs and conserve

The RMC HandsFree automatic faucet eliminates unnecessary water flow. Water runs only when someone's hands are under the faucet. You will save up to 70% in water costs associated with faucet usage.

ADA compliant

People with disabilities should not be required to strain in any way to use manual urinals, toilets or faucets. Automatic fixtures solve the problem by removing the need to flush or activate a faucet with manual force

Why RMC HandsFree automatic fixtures?

- **Reliable long lasting, rugged construction and design**
We guarantee our fixtures for 3 years against manufacturing defects. We can do that because our **HandsFree** fixtures come standard with a chrome solid metal outer casing and a protective scratch resistant sensor window for strong durability and to resist vandalism.

In the Dual Flush units, the patented gear motor drive and BRV® mechanism with minimal moving parts eliminate solenoid problems, and typical maintenance issues.

- **Easy to install**
- **ADA Compliant**

Your reputation depends on your restrooms being
RMC HandsFree™

Call Today!
1-800-836-1633



www.rochestermidland.com

Count on RMC For All of Your Restroom & Smart Healthcare Needs!

After All, We've Been in the Restroom for Over 115 Years!

Call: 800-836-1633 Today!

Scentsations®
AIR FRESHENERS



Rest Assured Starter Pak

Get started with our convenient Starter Pak. Includes white plastic dispenser with mounting hardware, and two sleeves of 250 each, half fold seat covers.



Toilet Seat Cover Dispensers

Our range of dispensers are compatible with most half fold or quarter fold sleeves. Half fold dispensers are available in white and gray plastic, white metal, and chrome metal. Quarter fold dispensers are available in white plastic only.

Rest Assured Toilet Seat Covers

High quality RMC half and quarter fold toilet seat covers fit most standard seat cover dispensers.



The **Scentsations®** odor control program features a full line of urinal products, deodorizers, metered aerosols, gels, and dispensers.

Feminine Care



Feminine Hygiene

Complete line of vended feminine hygiene products — innovative products like Stayfree's Reinforced Four Wall Protection™ pads for active women and RMC's Naturelle® feminine care products including Panty Liner, Ultra Thin and Maxi Pads, Tampon, and Bladder Control Pad (only incontinent pad available for vending).



High Quality Vendors

We offer a wide range of trouble-free, all metal feminine hygiene vendors in both white and stainless steel. With single, dual or triple coin or complementary dispensing. Each unit comes with our lifetime warranty.



Disposal Units & Liners

We have a complete selection of sanitary disposal units and liners including our patented Sanisac® unit which opens from the bottom for easy disposal.



The **T-Bear®** diaper program provides a full line of changing stations, liners, vended diapers, diaper vendor, baby wipes and child protection seat.

Visit our web site for more information on these and other fine RMC products. You'll find instructions, product information, helpful hints, and plenty of other useful information. www.rochestermidland.com



ROCHESTER MIDLAND CORPORATION
333 Hollenbeck Street
Rochester, New York 14621 USA
Phone: 800-836-1633
Fax: 800-540-9815
www.rochestermidland.com

Copyright © 2006 Rochester Midland Corporation. Stayfree and Four Wall Protection are trademarks of Personal Products Company, Skillman, NJ, used under license. Playtex and Gentle Glide are trademarks of Playtex Family Products, Westport, CT. Sanisac, Naturelle, Rest Assured, Scentsations, and T-Bear are trademarks of Rochester Midland Corporation. All rights reserved. **Form 3588.**

In Canada: 800-387-7174; Fax: 905-847-1675; www.rochestermidland.ca